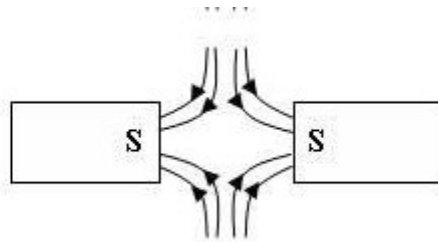


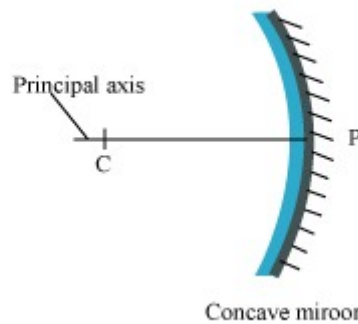
SECOND TERM ANSWER KEY  
CLASS 8 PHYSICS

BY ARUN S NAIR chss Adakkakundu Malappuram ph 9747113838

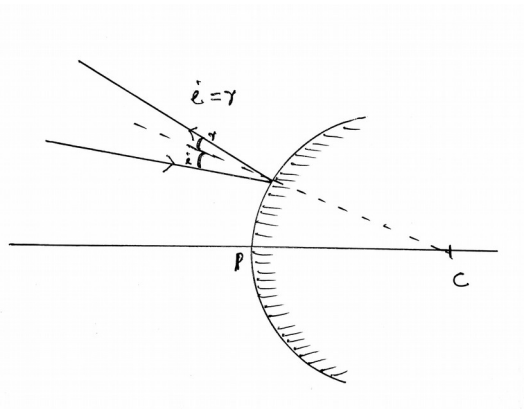
1. Graphite
2. Focal length=12cm
3. Distance ie scalar quantity -others are vector quantities.
4. Acceleration
5. Parsec is used to measure distance between astronomical bodies.
6. Solid which floats has more volume.
7. a. Water at bottom side exerts more pressure so to resist the basement construct like this.  
b. To maintain the pressure inside and outside the body.
8. a. Sliding friction is greater than that of rolling friction or frictional force at the time of sliding is more than than that of sliding.  
b. Circular shape of wheels
- 9.



10. a. A is north  
b. Magnet distributes its magnetic property or magnetisation.
- 11.



- 12.a Electromagnet  
b. Increase the number of turns ,current or surface area of nail (soft iron core)
- 13.a. Convex mirror  
b.



- 14a. Thrust=20N  
b. Pressure =4\*200=800pa  
c. Shoulder strap of school bags or straps of shoulder bags.

Ph 9747113838