

# General Studies (Prelims) Paper- 1982

Q1. President of India is elected by

- (a) Lok Sabha
- (b) Rajya Sabha
- (c) Elected representatives of Lok Sabha, Rajya Sabha and State Legislative Assemblies
- (d) People directly

Q2. The recent IMF loan to India will help immediately

- (a) To meet the expenditure of 20-point programme
- (b) To meet the expenditure of Sixth Five-Year Plan
- (c) To correct the adverse balance of payments
- (d) To remove poverty in India

Q3. The present UN Secretary General is

- (a) Javier Perez de Cuellar
- (b) Kurt Waldheim
- (c) Ronald Reagan
- (d) None of the above

Q4. New Moore Island is the cause of dispute between India and

- (a) Malaysia
- (b) Sri Lanka
- (c) Bangladesh

(d) Burma

Q5. Which is the most urbanised State in India ?

- (a) Punjab
- (b) Maharashtra
- (c) Gujarat
- (d) Tamil Nadu

Q6. To visit Tuticorin, Mangalore and Paradip, one does not require to go to

- (a) Tamil Nadu
- (b) Kerala
- (c) Karnataka
- (d) Orissa

Q7. Recently, the birth centenary of whom was celebrated ?

- (a) Swami Dayanand Saraswati
- (b) Lord Buddha
- (c) Swami Vivekananda
- (d) Subramania Bharathi

Q8. Mahamasthak-abisheka ceremony was performed in Karnataka in 1982 for

- (a) Lord Siva
- (b) Lord Bahubali
- (c) Lord Mahavira
- (d) Lord Buddha

Q9. Which of the following was not a factor for retardation of industrial growth last year?

- (a) Energy crisis
- (b) Non-availability of raw materials

- (c) Labour disturbances
- (d) Non-availability of funds

Q10. The person who was assassinated in the following list is

- (a) Chou En-lai
- (b) Ziaur Rahman
- (c) Marshal Tito
- (d) Z.A. Bhutto

Q11. Ramanuj Acharya gave stress on

- (a) Bhakti
- (b) Moksha
- (c) Dharma
- (d) None of these

Q12. The concept of welfare state is included in the Constitution of India in

- (a) Preamble
- (b) Fundamental Rights
- (c) Fourth Schedule
- (d) Directive Principles of State Policy

Q13. How many members can be nominated to the Lok Sabha by the President ?

- (a) 2
- (b) 4
- (c) 5
- (d) 12

Q14. Melbourne declaration was connected with

- (a) Environmental pollution
- (b) Energy crisis
- (c) Reducing the economic inequality between the developed and

the developing countries

(d) Human rights

Q15. Chambal river flows through the States of

(a) Maharashtra, Gujarat and Madhya Pradesh

(b) Uttar Pradesh, Madhya Pradesh and Orissa

(c) Uttar Pradesh, Madhya Pradesh and Rajasthan

(d) Uttar Pradesh, Madhya Pradesh and Bihar

Q16. The dispute regarding the election of President of India is to be referred to

(a) Chief Election Commissioner

(b) Supreme Court

(c) Parliament

(d) Attorney-General

Q17. If President wants to resign, he should address his resignation letter to the

(a) Parliament

(b) Prime Minister

(c) Chief Justice of India

(d) Vice-President

Q18. Council of Ministers of the Union of India is responsible to

(a) Rajya Sabha

(b) Prime Minister

(c) President

(d) Lok Sabha

Q19. When a money bill is passed by the Parliament, the President has the power to

(a) Amend it

- (b) Reject it
- (c) Kept it with him
- (d) Return it for reconsideration

Q20. 156th member of UNO is

- (a) Belize
- (b) Bahamas
- (c) Mauritius
- (d) Zimbabwe

Q21. America's space shuttle is

- (a) Voyager
- (b) Apollo
- (c) Soyuz
- (d) Columbia

Q22. The personality who is not connected with 1857 mutiny is

- (a) Bhagat Singh
- (b) Lakshmibai
- (c) Tantia Tope
- (d) Nana Saheb

Q23. The India-Pakistan boundary line has reference to

- (a) McMohan Line
- (b) Radcliffe Line
- (c) Durand Line
- (d) Maginot Line

Q24. Which of the following countries has been elected to the Security Council recently for a two-year term ?

- (a) Poland
- (b) Malaysia
- (c) Pakistan

(d) Panama

Q25. Antyodaya scheme is aimed for

- (a) Protection of minorities from atrocities
- (b) Helping the Scheduled Castes
- (c) Helping the minorities
- (d) Uplifting the poorest among the poor

Q26. NABARD, which is set up to provide loans for rural development, is a

- (a) Bank
- (b) Board
- (c) Block
- (d) Department

Q27. Which of the following shipyards makes warships ?

- (a) Cochin Shipyard
- (b) Mishra Dhatu Nigam Ltd.
- (c) Mazagon Dock
- (d) Hindustan Shipyard

Q28. Who among the following is associated with a film on Mahatma Gandhi

- (a) Richard Attenborough
- (b) Satyajit Ray
- (c) George Baker
- (d) None of these

Q29. The 1981 Nobel Prize for literature has been awarded to

- (a) James Tobin
- (b) Elias Canetti
- (c) Nelson Mandela
- (d) Kai Siegbahn

Q30. The 1980 Bharatiya Jnanpith award has been given to

- (a) Tarashankar Bandopadhyaya
- (b) S. H. Vatsyayan
- (c) S. K. Pottekkatt
- (d) Ashapura Devi

Q31. The largest source of energy in India is

- (a) Hydro-electric
- (b) Solar
- (c) Thermal
- (d) Nuclear

Q32. North-South dialogue has reference to

- (a) Developed and Developing countries
- (b) Developing and Under-developed countries
- (c) North and South countries of the world
- (d) North and South America

Q33. Flood hit areas are to be immediately given medical cover.

Which of the following is the most appropriate step ?

- (a) BCG injection
- (b) Inoculation against Cholera
- (c) Smallpox vaccination
- (d) None of these

Q34. Irrigation facilities should be improved urgently in India because

- (a) Irrigation yields better output
- (b) Monsoon is irregular
- (c) Rivers are dry most of the period in the year
- (d) Land under irrigation is very small

Q35. Mixed economy means

- (a) Coexistence of small and large scale industries
- (b) Coexistence of private and public sectors
- (c) Promotion of agriculture as well as industries
- (d) Coexistence of rich and poor

Q36. Who got the Jawaharlal Nehru Award for International Understanding in 1981 ?

- (a) Nelson Mandela
- (b) Barbara Ward
- (c) Ismat Kittani
- (d) Gunnar Myrdal and Alva Myrdal

Q37. White paper is a

- (a) Paper of good quality
- (b) Paper having white colour
- (c) Document published by the government on matters of national importance
- (d) Paper used for bearer bonds

Q38. The 1982 Asian Games are going to be held in India for the

- (a) First time
- (b) Second time
- (c) Third time
- (d) Fourth time

Q39. The rupee exchange rate is currently linked with

- (a) Pound Sterling
- (b) Dollar
- (c) Franc
- (d) Basket of currencies



Q40. First Five-Year Plan laid stress on

- (a) Agriculture
- (b) Industry
- (c) Power
- (d) Uplifting of poor people

Q41. Vayudoot is

- (a) Air Force headquarters
- (b) A fighter aircraft
- (c) A naval warship
- (d) The third airline in India

Q42. States earn more revenue directly through which of the following taxes ?

- (a) Sales tax
- (b) Custom duties
- (c) Excise duties
- (d) Income tax

Q43. "Once again India leads the world" are the words of

- (a) S. N. Bannerjee
- (b) Mahatma Gandhi
- (c) Gopal Krishna Gokhale
- (d) None of these

Q44. To uphold and protect the sovereignty, unity and integrity of India, a provision has been made in the

- (a) Directive Principles of State Policy
- (b) Preamble to the Constitution
- (c) Fundamental Duties
- (d) Fundamental Rights

Q45. Which of the following States in India has the highest density of population ?

- (a) Kerala
- (b) Assam
- (c) Uttar Pradesh
- (d) Bihar

Q46. Which tax is not levied by the Central Government ?

- (a) Wealth tax
- (b) Profession tax
- (c) Income tax
- (d) Excise duty

Q47. Who among the following founded Ramakrishna Mission ?

- (a) Swami Dayanand Saraswati
- (b) Raja Rammohan Roy
- (c) Swami Vivekananda
- (d) None of these

Q48. Finance Commission is appointed for

- (a) Passing the money bills
- (b) Approving money bills
- (c) Drafting the budget
- (d) Making recommendations to the President regarding the distribution between the Union and the States of the net proceeds of the taxes

Q49. Operation Flood refers to

- (a) Use of preventive measures for flood devastation
- (b) A study about floods
- (c) Dairy development for increased milk production
- (d) None of these

Q50. Multinational means

- (a) A person having passports and visas of many countries
- (b) A person having property in many countries
- (c) A person holding citizenship of many countries
- (d) A company operating in more than one country

Q51. Flame of the forest is

- (a) A tree blossomed with flowers like flame in leafless season
- (b) Fire developed in the forest due to strong wind
- (c) A lady who worked for the development of the forests
- (d) An insect which glows like a flame in the forest

Q52. The newly elected President of France is

- (a) Georges Pompidou
- (b) Charles de Gaulle
- (c) Francois Mitterrand
- (d) Lech Walesa

Q53. Wealth tax on agricultural property is levied by

- (a) Central Government
- (b) State Government
- (c) Both the Central and State Governments
- (d) None of the above

Q54. The 45th Amendment to the Indian Constitution relates to

- (a) Minorities Commission
- (b) Commission for Scheduled Castes and Scheduled Tribes
- (c) Extension of reservation of seats for Scheduled Castes and Scheduled Tribes
- (d) None of the above

Q55. Directive Principles of State Policy are included in which part of

the Indian Constitution ?

- (a) Part IV
- (b) Part III
- (c) Part II
- (d) Part I

Q56. Main source of India's national income is from

- (a) Agriculture
- (b) Industry
- (c) Forestry
- (d) None of these

Q57. To an astronaut in the spacecraft, the sky appears to be

- (a) Blue
- (b) White
- (c) Dark
- (d) Red

Q58. The rich source of iron is

- (a) Eggs
- (b) Green vegetables
- (c) Pulses
- (d) Milk

Q59. Which among the following acts as a resistance against disease in the body ?

- (a) Vitamins
- (b) Carbohydrates
- (c) Red Corpuscles
- (d) White Corpuscles

Q60. A fan makes a hot noon to feel cool by

- (a) Blowing out hot air

- (b) Increasing the rate of evaporation
- (c) Letting in cool air
- (d) Regulating the air flow

Q61. When a ship enters a sea from a river, its portion under water will

- (a) Increase
- (b) Decrease
- (c) Show no change
- (d) Increase and decrease alternately

Q62. A universal donor has the blood group belonging to

- (a) A
- (b) B
- (c) O
- (d) AB

Q63. The substance generally used in the tip of safety match stick is

- (a) Red phosphorus
- (b) Sodium
- (c) Yellow phosphorus
- (d) Antimony trisulphide

Q64. Retina in the eyes acts as a \_\_\_\_\_ in the camera

- (a) Lens
- (b) Shutter
- (c) Film
- (d) None of these

Q65. Milk of the animals fed on grass contains large amounts of fat in

- (a) Summer

- (b) Winter
- (c) Spring
- (d) Autumn

Q66. The process by which metal surface is coated with thin layer of zinc is called

- (a) Vulcanising
- (b) Galvanising
- (c) Electroplating
- (d) None of these

Q67. Kilowatt is the unit of

- (a) Voltage
- (b) Power
- (c) Resistance
- (d) Current

Q68. Honey bees are called social insects because

- (a) They visit all flowers to collect nectar
- (b) They live among men
- (c) They depend for their food upon other insects
- (d) They move socially with other insects

Q69. The sun derives its energy from

- (a) Nuclear fission reactions
- (b) Nuclear fusion reactions
- (c) Oxidation of helium
- (d) Fission of noble metals

Q70. Metals used in voltaic cell are

- (a) Zinc and lead
- (b) Carbon and zinc

- (c) Zinc and copper
- (d) Carbon and nickel

Q71. Vitamins do not act as a/an

- (a) Source of energy
- (b) Stimulant in the growth of the body
- (c) Agent in regulating the chemical processes in the body metabolism
- (d) All of the above

Q72. Which of the following is useful in the chemistry of photography

- (a) Silver bromide
- (b) Aluminium hydroxide
- (c) Sodium chloride
- (d) Potassium nitrate

Q73. Which of the following enters human body through skin

- (a) Tape worm
- (b) Hook worm
- (c) Ring worm
- (d) Thread worm

Q74. The dress made out of which of the following is safe to wear while cooking ?

- (a) Nylon
- (b) Terylene
- (c) Silk
- (d) Cotton

Q75. The purest form of water is obtained from

- (a) A deep tube well
- (b) A running stream

- (c) Hot water spring
- (d) Heavy rains

Q76. Chlorophyll is a/an

- (a) Halogen acid
- (b) A green pigment found in the plants
- (c) A chloro-organic compound
- (d) Element

Q77. Health hazard floods are responsible for the spread of

- (a) Cholera
- (b) Malaria
- (c) Influenza
- (d) Diarrhoea

Q78. Gasohol is mixture of gasoline and

- (a) Ethyl alcohol
- (b) Methyl alcohol
- (c) Kerosene
- (d) Butyl alcohol

Q79. Ozone present in the ozone layer of the atmosphere is important because

- (a) It gives oxygen on dissociation
- (b) It shields other gases
- (c) It helps in the growth of the plants by absorbing a large proportion of the sun's ultraviolet radiations
- (d) None of these

Q80. Hydroponics means

- (a) Cultivation of plants without the use of soil
- (b) Detection of sound in water
- (c) Animals living in water



(d) A Japanese way of flowering

Q81. During cardiac failure, which of the following is advised as a first aid?

- (a) Mouth to mouth resuscitation
- (b) Giving external cardiac massage
- (c) Giving cool water to drink
- (d) Giving complete body massage

Q82. Pearls are formed inside

- (a) Squids
- (b) Snails
- (c) Oysters
- (d) Mollusks

Q83. Diamond and Emerald contain

- (a) Carbon and silicon
- (b) Carbon and zinc
- (c) Silicon, aluminium and beryllium
- (d) Carbon and calcium

Q84. Hygrometer is used to measure

- (a) Density of a liquid
- (b) Relative humidity of atmosphere
- (c) Absorption power of plants
- (d) Temperature of air

Q85. After sowing seeds, the fertilisers used are

- (a) Phosphates
- (b) Nitrates
- (c) Green manures
- (d) All of these

Q86. Dehydration in the human body results due to loss of

- (a) Salts
- (b) Water
- (c) Vitamins
- (d) Hormones

Q87. Ready source of energy is available for athletes in

- (a) Vitamins
- (b) Fats
- (c) Proteins
- (d) Carbohydrates

Q88. The easiest way of finding out the nutritional status for large number of children in a short time is by

- (a) Studying their behaviour
- (b) Studying their hair, face and eyes
- (c) Measuring their height and weight
- (d) All of the above

Q89. To keep the seeds in good condition, we should keep it in a place which is

- (a) Warm and dry
- (b) Warm and wet
- (c) Cool and dry
- (d) Cool and wet

Q90. The chief constituent of gobar gas is

- (a) Hydrogen
- (b) Nitrogen
- (c) Ethane
- (d) Methane

Q91. Which of the following States has the largest coastal area in

India ?

- (a) Kerala
- (b) Tamil Nadu
- (c) Karnataka
- (d) Andhra Pradesh

Q92. 200 cm of rainfall, 20°C of temperature and well drained land is ideal for the cultivation of

- (a) Rice
- (b) Tea
- (c) Coffee
- (d) Rubber

Q93. The largest producer of tea in the world is

- (a) China
- (b) Sri Lanka
- (c) India
- (d) Malaysia

Q94. Generally speaking, all rocks may be classified into three major groups, such as

- (a) Marble, limestone, igneous
- (b) Igneous, limestone, mica
- (c) Igneous, marble, sedimentary
- (d) Igneous, sedimentary and metamorphic

Q95. The conclusion that Asia and Africa had a single landmass is provided by

- (a) The deserts in Asia and Africa
- (b) The similarity in climate of certain regions of Asia and Africa
- (c) The finding of same type of fossil in both the regions
- (d) All of these

Q96. Khetri, Kolar, Sindri and Jharia are associated with

- (a) Copper, gold, fertilisers and coal
- (b) Copper, gold, coal and iron
- (c) Copper, gold, coal and gypsum
- (d) Iron, gold, coal and copper

Q97. Brian Jones is associated with

- (a) Billiards
- (b) Tennis
- (c) Chess
- (d) Gold

Q98. India won 1981

- (a) World Cup badminton men's singles title
- (b) Women's Asian badminton championship
- (c) Men's Asian hockey championship
- (d) Women's Asian hockey championship

Q99. The river which flows between Vindhya and Satpura ranges is

- (a) Narmada
- (b) Tapti
- (c) Mahanadi
- (d) Godavari

Q100. North India gets rainfall due to

- (a) Northern cold winds
- (b) South-West monsoons
- (c) North-East monsoons
- (d) Western disturbances

Q101. Bhakra Nangal, Hirakud and Kosi projects are situated on the rivers

- (a) Sutlej, Mahanadi and Kosi

- (b) Sutlej, Mahanadi and Purna
- (c) Mahanadi, Beas, Godavari
- (d) Beas, Mahanadi, Sutlej

Q102. Contour bunding is used

- (a) To stop the winds in sandy deserts
- (b) To irrigate desert areas
- (c) To prevent erosion in hilly areas
- (d) None of the above

Q103. Wimbledon is associated with

- (a) Lawn Tennis
- (b) Table Tennis
- (c) Football
- (d) Hockey

Q104. Plankton refers to

- (a) A kind of fish
- (b) A submerged platform in waters
- (c) Drifting of organisms in a body of water
- (d) A kind of animal living under water

Q105. UNCTAD is a United Nations Conference on

- (a) Trade and Development
- (b) Military Training and Education
- (c) Education and Development
- (d) None of the above

Q106. Which one of the following is not a Fundamental Right ?

- (a) Freedom of speech and expression
- (b) Right to assemble peaceably and without arms
- (c) Right to property
- (d) Right to equality

Q107. Panchayati Raj is mainly aimed at

- (a) Rural employment
- (b) Agricultural and rural industries development
- (c) Political awareness among village people
- (d) Giving training to villagers for fighting elections

Q108. Capital intensive industries

- (a) Increase employment in rural areas
- (b) Increase unemployment
- (c) Give blow to the growth of large scale industries
- (d) Provide opportunities for workers' participation in management

Q109. Nehru Model of Development laid greater stress on

- (a) Collective use of land
- (b) Using imported seeds
- (c) Agricultural development
- (d) Rapid industrialisation with particular emphasis on the development of basic and heavy industries

Q110. Duncan pass is located between

- (a) North Andaman and South Andaman
- (b) North Andaman and Car Nicobar
- (c) South Andaman and Car Nicobar
- (d) South Andaman and Little Andaman

Q111. Out of the following the oldest dynasty is

- (a) Mauryas
- (b) Nandas
- (c) Pallavas
- (d) Guptas

Q112. The ousted Premier of Poland is

- (a) Kania
- (b) Jozef Pinkowski
- (c) General Wojciech Jaruzelski
- (d) Lech Walesa

Q113. Lothal is

- (a) A closed water system
- (b) A poisonous gas
- (c) A place in Gujarat where excavations have established a link with the Indus Valley civilisation
- (d) Legal action taken against defectors

Q114. The best conceiving season for cows and buffaloes is

- (a) Summer
- (b) Winter
- (c) Spring
- (d) There is no definite relationship between conceiving and season

Q115. The most preferential poultry feed is

- (a) Maize
- (b) Barley
- (c) Wheat
- (d) Rice husk

Q116. The 1981 Wimbledon Champion is

- (a) Bjorn Borg
- (b) John McEnroe
- (c) Russel Simpson
- (d) John Austin

Q117. Who among the following was not a moderate ?

- (a) Mahatma Gandhi

- (b) W. C. Bannerjee
- (c) G. K. Gokhale
- (d) B. G. Tilak

Q118. Dandi March was organised by Gandhiji to

- (a) Break the salt laws
- (b) Protest against atrocities on Harijans
- (c) Oppose Simon Commission
- (d) Ask for Purna Swaraj

Q119. Non-Cooperation Movement was called off by Gandhiji because

- (a) Of Chauri Chaura incident
- (b) Government accepted the demands of Indian leaders
- (c) Of repressive measures adopted by the government
- (d) None of these

Q120. The script of Indus Valley civilisation was

- (a) Persian
- (b) Dravidian
- (c) Sanskrit
- (d) Undeciphered

Q121. Which of the chronological order for the construction of the following is correct ?

- I. Taj Mahal
  - II. Qutab Minor
  - III. Fatehpur Sikri
  - IV. Agra Fort
- (a) II, IV, III, I
  - (b) II, IV, I, III
  - (c) I, II, III, IV



(d) II, III, IV, I

Q122. Saka era was introduced by

- (a) Ashoka
- (b) Kanishka
- (c) Chandragupta Maurya
- (d) Harsha Vardhana

Q123. Civil Disobedience Movement was started in India in 1930 for

- (a) Home rule
- (b) Purna Swaraj
- (c) Non-cooperation with British government
- (d) Hindu-Muslim unity

Q124. The succession of Delhi Sultans to the throne was generally

- (a) Hereditary
- (b) After fight between brothers
- (c) By killing the father
- (d) Invasion

Q125. Doctrine of Lapse was adopted as a measure to annex Indian states by

- (a) Lord Cornwallis
- (b) Lord Clive
- (c) Lord Dalhousie
- (d) Lord Wellesley

Q126. Which of the following statements is correct for Guru Nanak ?

- (a) He preached punishment for wicked
- (b) He preached against Muslims
- (c) He preached a war society
- (d) He preached that "God is one"

Q127. Raja Rammohan Roy was supporter of

- (a) Sati
- (b) Widow re-marriage
- (c) Child marriage
- (d) Learning of Sanskrit

Q128. Mahabalipuram temples were built by

- (a) Pallavas
- (b) Cheras
- (c) Cholas
- (d) Pandyas

Q129. The diagram below shows the rate of crimes in Delhi in the year 1980 and first 8 months of 1981. Which of the following categories is on the increase ? The crime rate in

- (a) Snatching and other Crimes
- (b) Murders
- (c) Dowry deaths
- (d) Rapes and Abductions

Q130. Intelligence Quotient (IQ) of a person is given by the formula

(a) 
$$\frac{\text{Mental age} \times 1000}{\text{Actual age}}$$

(b) 
$$\frac{\text{Mental age} \times 100}{\text{Actual age}}$$

(c) 
$$\frac{\text{Actual age} \times 100}{\text{Mental age}}$$

(d) 
$$\frac{\text{Actual age} \times 1000}{\text{Mental age}}$$

Q131. What number comes next ?

4, 196, 16, 144, 36, 100, 64

- (a) 36
- (b) 100
- (c) 80
- (d) 64

Q132. Which is the odd man out ?

- (a) POKI
- (b) MIEA
- (c) SOKG

(d) YUQM

Q133. A cube with all the sides painted was divided into small cubes of equal measurement. The side of a small cube is exactly one fourth as that of the big cube. Therefore, the number of small cubes with only one side painted is

- (a) 64
- (b) 36
- (c) 24
- (d) 12

Q134. How many triangles are there in the diagram



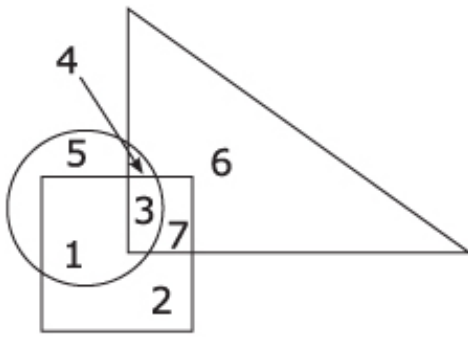
- (a) 8
- (b) 4
- (c) 10
- (d) 16

Q135. The number which is opposite to side 3 is



- (a) 4
- (b) 5
- (c) 6
- (d) 2

Q136. Circle indicates “strong”, square indicates “tall” and triangle “army officers”. The strong army officers who are not tall are shown

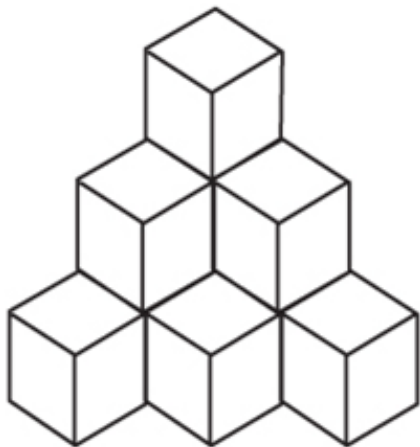


- (a) 4
- (b) 3
- (c) 5
- (d) 6

Q137. A man takes 6 km distance to go round a rectangular area. If the area of the rectangle is 2 km, find the difference between length and breadth

- (a) 1 km
- (b) 0.5 km
- (c) 2 km
- (d) 0.75 km

Q138. How many cubes are there in the figure ?



- (a) 9
- (b) 7
- (c) 8
- (d) 10

Q139. The words in the first column are written in a secret code in

the second column. However, the secret writings in the second column are not in the same order. What is the code assigned for the letter D ?

BRAIN      13529  
DRAIN      35293  
RIVER      13754  
DRIVE      83754

- (a) 3
- (b) 5
- (c) 1
- (d) 9

Q140. There are eight poets, namely, A, B, C, D, E, F, G and H in respect of whom Qs are being asked in the examination. The first four are ancient poets and the last four are modern poets. The Q on ancient and modern poets is being asked in alternate years. Those who like H also like G, those who like D like C also. The examiner who sets Q is not likely to ask Q on D because he has written an article on him. But he likes D. Last year a Q was asked on F. Considering these facts, on whom the Q is most likely to be asked this year ?

- (a) B
- (b) C
- (c) D
- (d) G

Q141. There are 20 students with an average height of 105 cms in a class. Then 10 students with an average height of 120 cms join the class. What will be the average height of the class now?

- (a) 100 cms
- (b) 110 cms
- (c) 120 cms
- (d) 130 cms

Q142. A man's investment doubles in every 5 years. If he invested Rs. 5,000 in each of the years 1960, 1965, 1970 and 1975, then what was the total amount received by him in 1980 ?

- (a) Rs. 1,40,000
- (b) Rs. 30,000
- (c) Rs. 70,000
- (d) Rs. 1,50,000

Q143. Monthly consumption of petrol along with price variations is given below. When the price goes up to Rs. 6.0 per litre, what is the likely consumption of petrol ?

Rate of petrol in Rs.	1.5	2	3.0	4.5
Consumption in lit.	60	45	30	20

- (a) 7.5 litres
- (b) 12.5 litres
- (c) 10 litres
- (d) 15 litres

Q144. The increase in population (in lakhs) of a town showed the following trend :

*Period      Initial Population      Final Population*

1940-50

1950-60

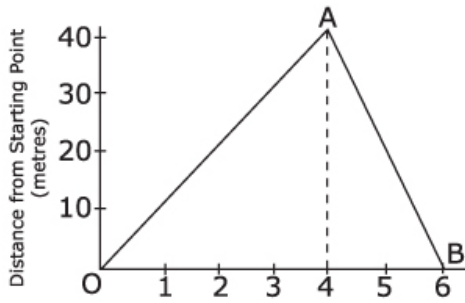
1960-70

1970-80

The growth rate is largest during the period

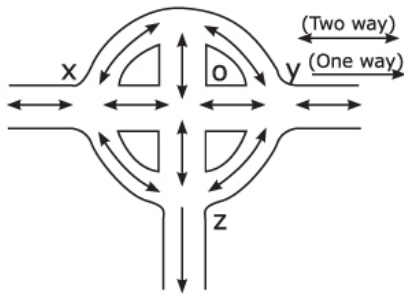
- (a) 1940-50
- (b) 1950-60
- (c) 1960-70
- (d) 1970-80

Q145. A man starts from a certain point O and follows the route as shown in the graph. Which of the following statements is correct ?



- (a) He travels with a uniform velocity throughout
- (b) He travels with a greater velocity from O to A than from A to B
- (c) He travels with a greater velocity from A to B than from O to A
- (d) He returns to the original point with a non-uniform velocity

Q146. X and Y are two places connected by road as shown. Without touching a point twice, the number of bus routes possible from X to Y are

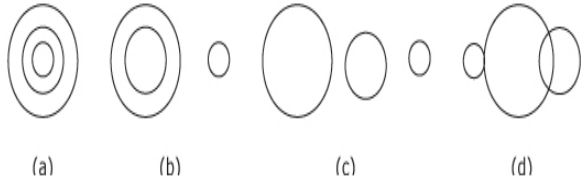


- (a) 9
- (b) 5
- (c) 6
- (d) 7

Q147. The most busy junction as shown in the previous diagram is

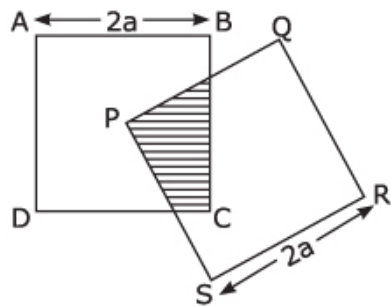
- (a) X
- (b) Y
- (c) Z
- (d) O

Q148. Which of the following figures best depicts the relationship among criminals, thieves and judges ?



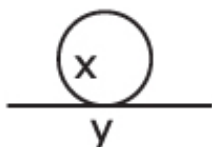
Q149. In the following figure, there are two squares ABCD and PQRS each having side length of  $2a$ .

P is the centre of the square ABCD. If the point P is fixed and the square PQRS can be moved freely about it, which of the following statements is appropriate ?



- (a) The area of the shaded region increases as the length BX increases
- (b) The area of the shaded region decreases as the length BX increases
- (c) There will be no change in the area of the shaded region with the change in the length of BX
- (d) There will be a change in the area of the shaded portion but not like the one mentioned under (a) and (b) above

Q150. A circular disc is rolled on a plane surface. The points X and Y will form which of the following patterns ?







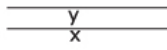
(a)



(b)



(c)



(d)

## Answers - 1982 UPSC Civil Services / IAS Preliminary General Studies

100.

B

101.	102.	103.	104.	105.	106.	107.	108.	109.	110.
A	C	A	C	A	C	B	B	D	D
111.	112.	113.	114.	115.	116.	117.	118.	119.	120.
B	B	C	D	D	B	D	A	A	D
121.	122.	123.	124.	125.	126.	127.	128.	129.	130.
A	B	C	B	C	D	B	A	C	B
131.	132.	133.	134.	135.	136.	137.	138.	139.	140.
D	A	C	C	C	A	A	D	C	B
141.	142.	143.	144.	145.	146.	147.	148.	149.	150.
B	D	D	A	C	A	D	B	C	C

Links