

Topics

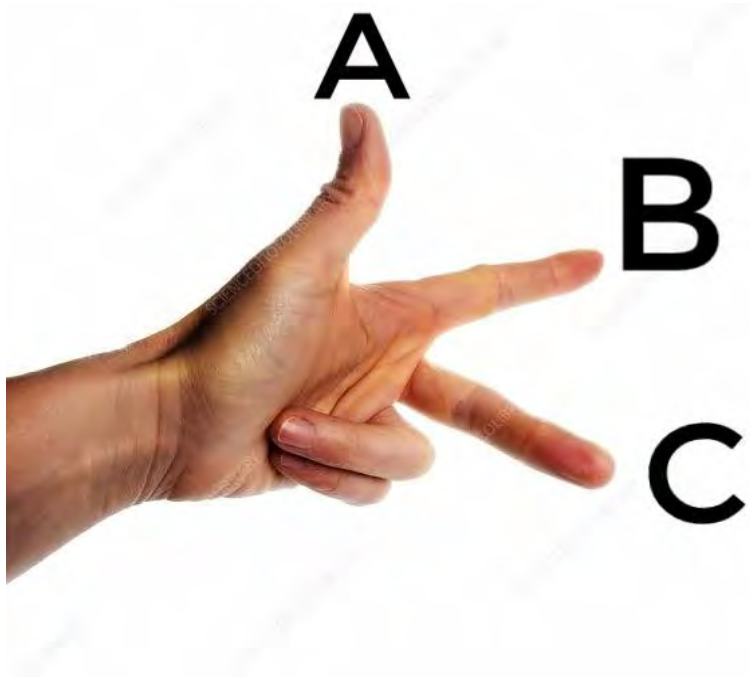
- Fleming's left hand rule
- Electric motor
- Moving coil loudspeaker

Questions(1)

Fill in the blanks by examining the relation.

- **DC motor:Armature**
- **Moving coil loudspeaker:.....**

2



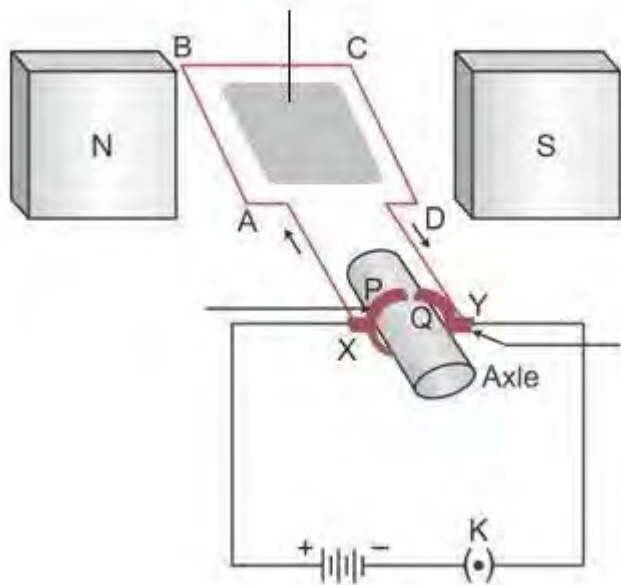
Observe the picture and answer the questions given below

(a) What does A,B,C represent in this picture?

(a) This picture is related to which rule

(b) Name two instruments that work on the principle of this law.

3



(a) Determine the name of the instrument given ?

(b) Write down the name of the parts ABCD , XY in the diagram?

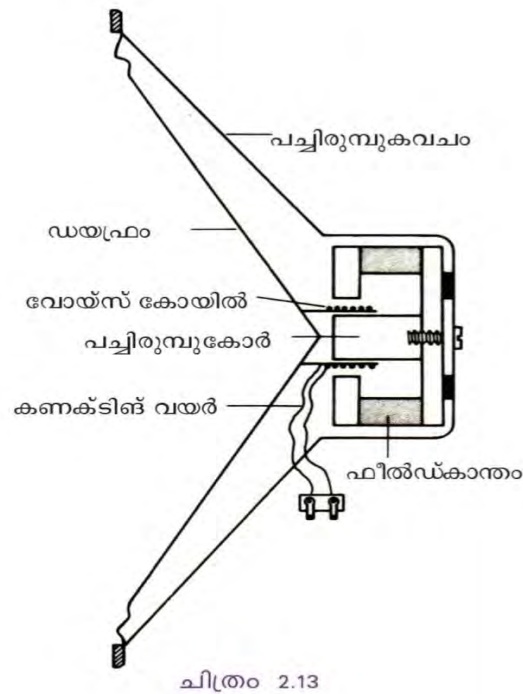
© when the switch is turned on ,in which direction does AB move.
(upward , Downward)

4

(a) Mention the principle and the energy change taking place in this instrument.

(b) Arrange the working process of this instrument in the correct order?

- (i) Voice call vibrates
- (ii) Amplifies the electrical signals from the microphone
- (iii) Electricity reaches the voice coil
- (iv) Diaphragm vibrates and produces sound .



5

Match the following

A	B	C
1. Fleming's left hand rule	Diaphragm	Moving coil microphone
2. moving coil loudspeaker	DC electric motor	Electrical energy to sound energy
3. Electric generator	Mechanical energy to electrical energy	Split rings