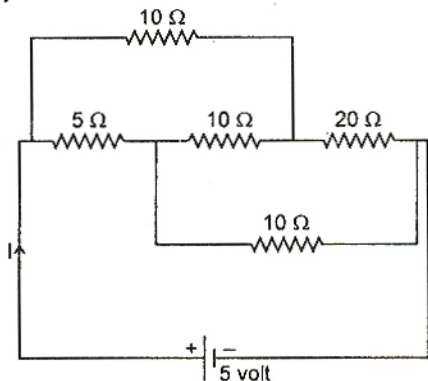


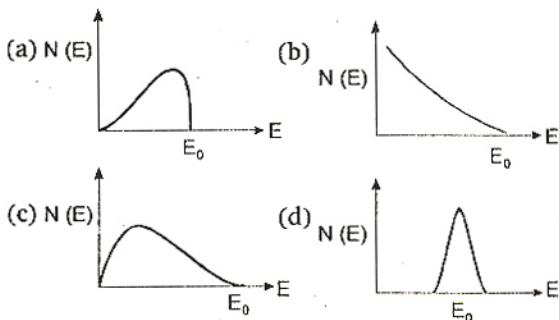
1. The Kirchhoff's first law ($\sum i = 0$) and second law ($\sum iR = \sum E$), where the symbols have their usual meanings, are respectively based on :
 - (a) conservation of charge, conservation of momentum
 - (b) conservation of energy, conservation of charge
 - (c) conservation of momentum, conservation of charge
 - (d) conservation of charge, conservation of energy
2. Needles N_1, N_2 and N_3 are made of a ferromagnetic, a paramagnetic and a diamagnetic substance respectively. A magnet when brought close to them will :
 - (a) attract N_1 and N_2 strongly but repel N_3
 - (b) attract N_1 strongly, N_2 weakly and repel N_3 weakly
 - (c) attract N_1 strongly, but repel N_2 and N_3 weakly
 - (d) attract all three of them
3. A material 'B' has twice the specific resistance of 'A'. A circular wire made of 'B' has twice the diameter of a wire made of 'A'. Then for the two wires to have the same resistance, the ratio l_B / l_A of their respective lengths must be :
 - (a) 1
 - (b) $\frac{1}{2}$
 - (c) $\frac{1}{4}$
 - (d) 2
4. In a region, steady and uniform electric and magnetic fields are present. These two fields are parallel to each other. A charged particle is released from rest in this region. The path of the particle will be a :
 - (a) helix
 - (b) straight line
 - (c) ellipse
 - (d) circle
5. An electric dipole is placed at an angle of 30° to a non-uniform electric field. The dipole will experience :
 - (a) a translational force only in the direction of the field
 - (b) a translational force only in a direction normal to the direction of the field
 - (c) a torque as well as a translational force
 - (d) a torque only
6. A particle located at $x = 0$ at time $t = 0$, starts moving along the positive x -direction with a velocity ' v ' that varies as $v = \alpha\sqrt{x}$. The displacement of the particle varies with time as :
 - (a) t^2
 - (b) t
 - (c) $t^{1/2}$
 - (d) t^3
7. A bomb of mass 16 kg at rest explodes into two pieces of masses 4 kg and 12 kg. The velocity of the 12 kg mass is 4 ms^{-1} . The kinetic energy of the other mass is :
 - (a) 144 J
 - (b) 288 J
 - (c) 192 J
 - (d) 96 J
8. A whistle producing sound waves of frequencies 9500 Hz and above is approaching a stationary person with speed $v \text{ ms}^{-1}$. The velocity of sound in air is 300 ms^{-1} . If the person can hear frequencies upto a maximum of 10,000 Hz, the maximum value of v upto which he can hear the whistle is :
 - (a) $15\sqrt{2} \text{ ms}^{-1}$
 - (b) $15/\sqrt{2} \text{ ms}^{-1}$
 - (c) 15 ms^{-1}
 - (d) 30 ms^{-1}
9. A mass of M kg is suspended by a weightless string. The horizontal force that is required to displace it until the string makes an angle of 45° with the initial vertical direction is :
 - (a) $Mg(\sqrt{2} + 1)$
 - (b) $Mg\sqrt{2}$
 - (c) $\frac{Mg}{\sqrt{2}}$
 - (d) $Mg(\sqrt{2} - 1)$

10. A particle of mass 100 g is thrown vertically upwards with a speed of 5 m/s. The work done by the force of gravity during the time the particle goes up is :
 (a) -0.5 J (b) -1.25 J
 (c) 1.25 J (d) 0.5 J
11. The maximum velocity of a particle, executing simple harmonic motion with an amplitude 7 mm, is 4.4 m/s. The period of oscillation is :
 (a) 0.01 s (b) 10 s
 (c) 0.1 s (d) 100 s
12. Starting from the origin a body oscillates simple harmonically with a period of 2 s. After what time will its kinetic energy be 75% of the total energy ?
 (a) $\frac{1}{6}$ s (b) $\frac{1}{4}$ s
 (c) $\frac{1}{3}$ s (d) $\frac{1}{12}$ s
13. Assuming the sun to be a spherical body of radius R at a temperature of T K, evaluate the total radiant power, incident on earth, at a distance r from the sun :
 (a) $4\pi r_0^2 R^2 \sigma T^4 / r^2$ (b) $\pi r_0^2 R^2 \sigma T^4 / r^2$
 (c) $r_0^2 R^2 \sigma T^4 / 4\pi r^2$ (d) $R^2 \sigma T^4 / r^2$
 where r_0 is the radius of the earth and σ is Stefan's constant.
14. Which of the following units denotes the dimensions $[ML^2/Q^2]$, where Q denotes the electric charge ?
 (a) Wb/m^2 (b) henry (H)
 (c) H/m^2 (d) weber (Wb)
15. A ball of mass 0.2 kg is thrown vertically upwards by applying a force by hand. If the hand moves 0.2 m while applying the force and the ball goes upto 2 m height further, find the magnitude of the force, Consider $g = 10 \text{ m/s}^2$:
 (a) 4 N (b) 16 N
 (c) 20 N (d) 22 N
16. A string is stretched between fixed points separated by 75.0 cm. It is observed to have resonant frequencies of 420 Hz and 315 Hz. There are no other resonant frequencies between these two. Then, the lowest resonant frequency for this string is :
 (a) 105 Hz (b) 1.05 Hz
 (c) 1050 Hz (d) 10.5 Hz
17. Consider a two particle system with particles having masses m_1 and m_2 . If the first particle is pushed towards the centre of mass through a distance d , by what distance should the second particle be moved, so as to keep the centre of mass at the same position ?
 (a) $\frac{m_2}{m_1} d$ (b) $\frac{m_1}{m_1 + m_2} d$
 (c) $\frac{m_1}{m_2} d$ (d) d
18. A player caught a cricket ball of mass 150 g moving at a rate of 20 m/s. If the catching process is completed in 0.1s, the force of the blow exerted by the ball on the hand of the player is equal to :
 (a) 150 N (b) 3 N
 (c) 30 N (d) 300 N
19. In a common-base mode of a transistor, the collector current is 5.488 mA for an emitter current of 5.60 mA. The value of the base current amplification factor (β) will be :
 (a) 49 (b) 50
 (c) 51 (d) 48
20. A thermocouple is made from two metals, Antimony and Bismuth. If one junction of the couple is kept hot and the other is kept cold, then, an electric current will :
 (a) flow from Antimony to Bismuth at the hot junction
 (b) flow from Bismuth to Antimony at the cold junction
 (c) not flow through the thermocouple
 (d) flow from Antimony to Bismuth at the cold junction
21. The threshold frequency for a metallic surface corresponds to an energy of 6.2 eV and the stopping potential for a radiation incident on this surface is 5V. The incident radiation lies in :
 (a) ultra-violet region
 (b) infra-red region
 (c) visible region
 (d) X-ray region
22. An alpha nucleus of energy $\frac{1}{2} mv^2$ bombards a heavy nuclear target of charge Ze . Then the distance of closest approach for the alpha nucleus will be proportional to :
 (a) v^2 (b) $1/m$
 (c) $1/v^4$ (d) $1/Ze$
23. The time taken by a photoelectron to come out after the photon strikes is approximately :
 (a) 10^{-4} s (b) 10^{-10} s
 (c) 10^{-16} s (d) 10^{-1} s
24. When ${}_3\text{Li}^7$ nuclei are bombarded by protons, and the resultant nuclei are ${}_4\text{Be}^8$, the emitted particles will be :
 (a) alpha particles (b) beta particles
 (c) gamma photons (d) neutrons

25. The current I drawn from the 5 volt source will be :



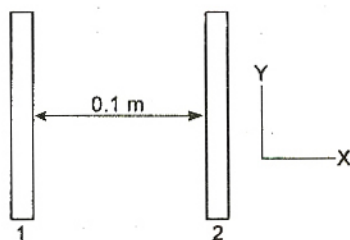
- (a) 0.33 A (b) 0.5 A
(c) 0.67 A (d) 0.17 A
26. The energy spectrum of β -particles [number $N(E)$ as a function of β -energy E] emitted from a radioactive source is :



27. In a series resonant LCR circuit, the voltage across R is 100 volts and $R = 1 \text{ k}\Omega$ with $C = 2 \mu\text{F}$. The resonant frequency ω is 200 rad/s. At resonance the voltage across L is :
- (a) $25 \times 10^{-2} \text{ V}$ (b) 40 V
(c) 250 V (d) $4 \times 10^{-3} \text{ V}$
28. The resistance of a bulb filament is 100Ω at a temperature of 100°C . If its temperature coefficient of resistance be 0.005 per $^\circ\text{C}$, its resistance will become 200Ω at a temperature of :
- (a) 300°C (b) 400°C
(c) 500°C (d) 200°C
29. Two insulating plates are both uniformly charged in such a way that the potential difference between them is $V_2 - V_1 = 20 \text{ V}$. (i.e., plate 2 is at a higher potential). The plates are separated by $d = 0.1 \text{ m}$ and can be treated as

infinitely large. An electron is released from rest on the inner surface of plate 1. What is its speed when it hits plate 2 ?

($e = 1.6 \times 10^{-19} \text{ C}$, $m_0 = 9.11 \times 10^{-31} \text{ kg}$)



- (a) $2.65 \times 10^6 \text{ m/s}$ (b) $7.02 \times 10^{12} \text{ m/s}$
(c) $1.87 \times 10^6 \text{ m/s}$ (d) $32 \times 10^{-19} \text{ m/s}$
30. In an AC generator, a coil with N turns, all of the same area A and total resistance R , rotates with frequency ω in a magnetic field B . The maximum value of emf generated in the coil is :
- (a) $N.A.B.R.\omega$ (b) $N.A.B$
(c) $N.A.B.R$ (d) $N.A.B.\omega$
31. A solid which is not transparent to visible light and whose conductivity increases with temperature is formed by :
- (a) ionic binding
(b) covalent binding
(c) Van der Waal's binding
(d) metallic binding
32. The refractive index of glass is 1.520 for red light and 1.525 for blue light. Let D_1 and D_2 be angles of minimum deviation for red and blue light respectively in a prism of this glass. then, :
- (a) $D_1 < D_2$
(b) $D_1 = D_2$
(c) D_1 can be less than or greater than D_2 depending upon the angle of prism
(d) $D_1 > D_2$
33. If the ratio of the concentration of electrons to that of holes in a semiconductor is $\frac{7}{5}$ and the ratio of currents is $\frac{7}{4}$, then what is the ratio of their drift velocities ?
- (a) $\frac{5}{8}$ (b) $\frac{4}{5}$
(c) $\frac{5}{4}$ (d) $\frac{4}{7}$
34. In a Wheatstone's bridge, three resistances P , Q and R are connected in the three arms and the fourth arm is formed by two resistances S_1 and S_2 connected in parallel. The condition for the bridge to be balanced will be :

$$(a) \frac{P}{Q} = \frac{2R}{S_1 + S_2} \quad (b) \frac{P}{Q} = \frac{R(S_1 + S_2)}{S_1 S_2}$$

$$(c) \frac{P}{Q} = \frac{R(S_1 + S_2)}{2S_1 S_2} \quad (d) \frac{P}{Q} = \frac{R}{S_1 + S_2}$$

35. The flux linked with a coil at any instant 't' is given by :

$$\phi = 10t^2 - 50t + 250$$

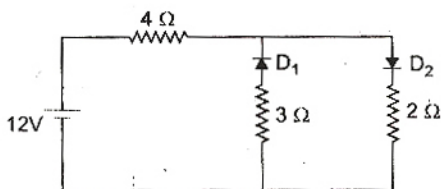
The induced emf at $t = 3$ s is :

- (a) -190 V (b) -10 V
(c) 10 V (d) 190 V

36. A long solenoid has 200 turns per cm and carries a current i . The magnetic field at its centre is 6.28×10^{-2} weber/m². Another long solenoid has 100 turns per cm and it carries a current $i/3$. The value of the magnetic field at its centre is :

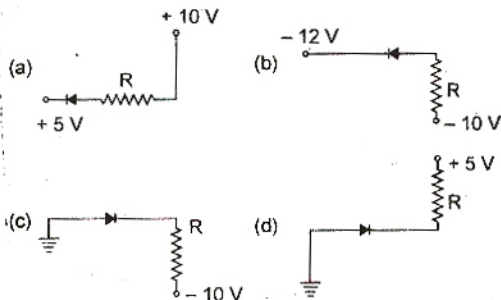
- (a) 1.05×10^{-2} weber/m²
(b) 1.05×10^{-5} weber/m²
(c) 1.05×10^{-3} weber/m²
(d) 1.05×10^{-4} weber/m²

37. The circuit has two oppositely connected ideal diodes in parallel. What is the current flowing in the circuit ?

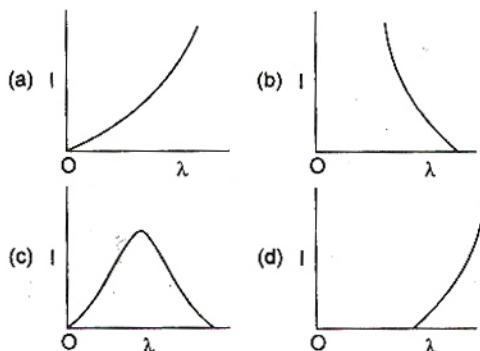


- (a) 1.71 A (b) 2.00 A
(c) 2.31 A (d) 1.33 A

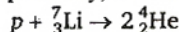
38. In the following, which one of the diodes is reverse biased ?



The anode voltage of a photocell is kept fixed. The wavelength λ of the light falling on the cathode is gradually changed. The plate current I of the photocell varies as follows :



40. If the binding energy per nucleon in ${}^7_3\text{Li}$ and ${}^4_2\text{He}$ nuclei are 5.60 MeV and 7.06 MeV respectively, then in the reaction :



energy of proton must be :

- (a) 28.24 MeV (b) 17.28 MeV
(c) 1.46 MeV (d) 39.2 MeV

41. An electric bulb is rated 220 volt - 100 watt. The power consumed by it when operated on 110 volt will be :

- (a) 75 watt (b) 40 watt
(c) 25 watt (d) 50 watt

42. The 'rad' is the correct unit used to report the measurement of :

- (a) the ability of a beam of gamma ray photons to produce ions in a target
(b) the energy delivered by radiation to a target
(c) the biological effect of radiation
(d) the rate of decay of a radioactive source

43. A coin is placed on a horizontal platform which undergoes vertical simple harmonic motion of angular frequency ω . The amplitude of oscillation is gradually increased. The coin will leave contact with the platform for the first time :

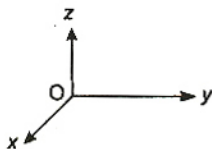
- (a) at the mean position of the platform
(b) for an amplitude of g/ω^2
(c) for an amplitude of g^2/ω^2
(d) at the highest position of the platform

44. Four point masses, each of value m , are placed at the corners of a square $ABCD$ of side l . The moment of inertia of this system about an axis passing through A and parallel to BD is :

- (a) $2ml^2$ (b) $\sqrt{3}ml^2$
(c) $3ml^2$ (d) ml^2

45. A force of $-F\hat{k}$ acts on O , the origin of the co-ordinate system. The torque about the point $(1, -1)$ is :

- (a) $F(\hat{i} - \hat{j})$
 (b) $-F(\hat{i} + \hat{j})$
 (c) $F(\hat{i} + \hat{j})$
 (d) $-F(\hat{i} - \hat{j})$



46. The potential energy of a 1 kg particle free to move along the x-axis is given by

$$V(x) = \left(\frac{x^4}{4} - \frac{x^2}{2} \right) \text{ J.}$$

The total mechanical energy of the particle is 2 J. Then, the maximum speed (in m/s) is :

- (a) $3/\sqrt{2}$ (b) $\sqrt{2}$
 (c) $1/\sqrt{2}$ (d) 2

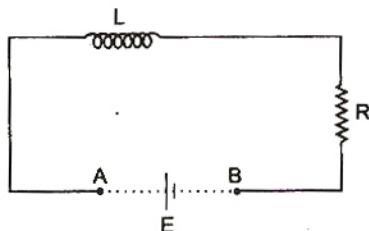
47. A thin circular ring of mass m and radius R is rotating about its axis with a constant angular velocity ω . Two objects each of mass M are attached gently to the opposite ends of a diameter of the ring. The ring now rotates with an angular velocity $\omega' =$:

- (a) $\frac{\omega(m+2M)}{m}$ (b) $\frac{\omega(m-2M)}{(m+2M)}$
 (c) $\frac{\omega m}{(m+M)}$ (d) $\frac{\omega m}{(m+2M)}$

48. A wire elongates by l mm when a load W is hanged from it. If the wire goes over a pulley and two weights W each are hung at the two ends, the elongation of the wire will be (in mm) :

- (a) l (b) $2l$
 (c) zero (d) $l/2$

49. An inductor ($L = 100 \text{ mH}$), a resistor ($R = 100 \Omega$) and a battery ($E = 100 \text{ V}$) are initially connected in series as shown in the figure. After a long time the battery is disconnected after short circuiting the points A and B. The current in the circuit 1 ms after the short circuit is :



- (a) $1/e \text{ A}$ (b) $e \text{ A}$
 (c) 0.1 A (d) 1 A

50. Two spherical conductors A and B of radii 1 mm and 2 mm are separated by a distance of 5 cm and are uniformly charged. If the spheres are connected by a conducting wire then in equilibrium condition, the ratio of the

magnitude of the electric fields at the surfaces of spheres A and B is :

- (a) 4 : 1 (b) 1 : 2
 (c) 2 : 1 (d) 1 : 4

51. Two rigid boxes containing different ideal gases are placed on a table. Box A contains one mole of nitrogen at temperature T_0 , while box B contains one mole of helium at temperature $(7/3) T_0$. The boxes are then put into thermal contact with each other, and heat flows between them until the gases reach a common final temperature (Ignore the heat capacity of boxes). Then, the final temperature of the gases, T_f , in terms of T_0 is :

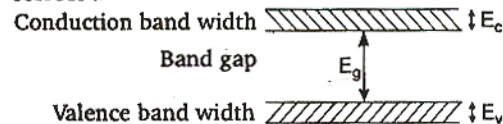
- (a) $T_f = \frac{3}{7} T_0$ (b) $T_f = \frac{7}{3} T_0$
 (c) $T_f = \frac{3}{2} T_0$ (d) $T_f = \frac{5}{2} T_0$

52. The work of 146 kJ is performed in order to compress one kilo mole of a gas adiabatically and in this process the temperature of the gas increases by 7°C . The gas is :

$$(R = 8.3 \text{ J mol}^{-1} \text{ K}^{-1})$$

- (a) diatomic
 (b) triatomic
 (c) a mixture of monoatomic and diatomic
 (d) monoatomic

53. If the lattice constant of this semiconductor is decreased, then which of the following is correct ?



- (a) All E_c, E_g, E_v increase
 (b) E_c and E_v increase, but E_g decreases
 (c) E_c and E_v decrease, but E_g increases
 (d) All E_c, E_g, E_v decrease

54. The rms value of the electric field of the light coming from the sun is 720 N/C . The average total energy density of the electromagnetic wave is :

- (a) $4.58 \times 10^{-6} \text{ J/m}^3$ (b) $6.37 \times 10^{-9} \text{ J/m}^3$
 (c) $81.35 \times 10^{-12} \text{ J/m}^3$ (d) $3.3 \times 10^{-3} \text{ J/m}^3$

55. If the terminal speed of a sphere of gold (density = 19.5 kg/m^3) is 0.2 m/s in a viscous liquid (density = 1.5 kg/m^3), find the terminal speed of a sphere of silver (density = 10.5 kg/m^3) of the same size in the same liquid.

- (a) 0.4 m/s (b) 0.133 m/s
 (c) 0.1 m/s (d) 0.2 m/s