

# SUMMATIVE ASSESSMENT TERM I 2025 – 2026

## MODEL QUESTION PAPER MATHEMATICS

Class : 7

Time : 2 Hours 15 Minutes

### Instructions

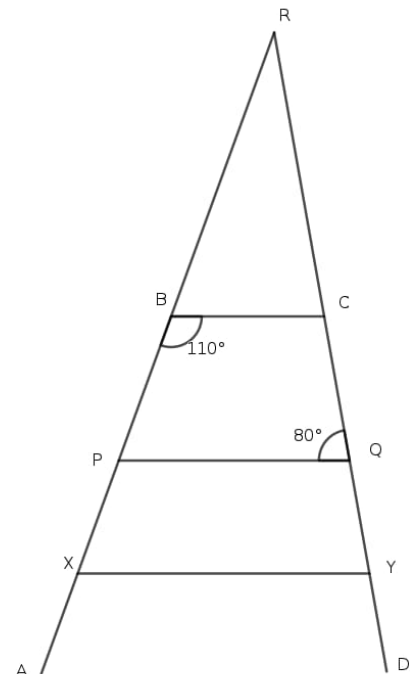
- 15 minutes is given as cool - off time. Use this time to read and understand the questions and plan answers accordingly.
- Answer all the 6 questions
- Question number 1 and 6 have internal choices (1 A and 1 B; 6A and 6B). Answer to any one of the sub questions A or B under it.

**The first question has 2 questions (1 A and 1 B). You only need to answer one of them.**

1. A. In the figure, BC, PQ, XY are parallel.

- What is the measure of  $\angle BXY$ ?
- What is the measure of  $\angle XYD$ ?
- What is the measure of  $\angle R$ ?
- What is the largest angle in triangle of PQR?
- Among the pair of angles given below, find the pair with equal measures.

- $\angle XPQ, \angle PQY$ ;
- $\angle PBC, \angle XPQ$ ;
- $\angle PQC, \angle BCQ$ ;
- $\angle RBC, \angle RCB$

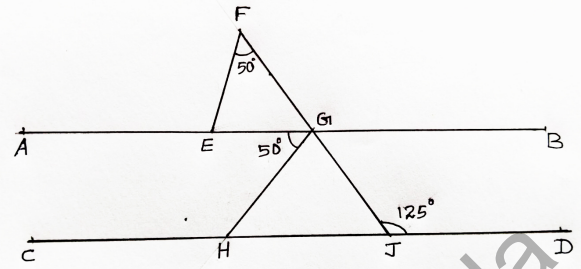


OR

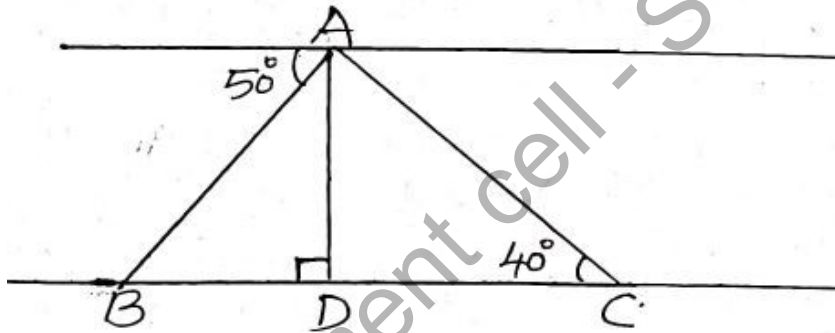
B. In the figure AB is parallel to CD

$$\angle EGH = 50^\circ, \angle GJD = 125^\circ,$$

$$\angle EFG = 50^\circ$$



- What is the measure of  $\angle GHJ$ ?
- What is the measure of  $\angle HGJ$ ?
- Write an angle which is equal to  $\angle HGJ$ .
- What is the measure of  $\angle AEF$ ?
- Look at the statements of Surabhi regarding the angles of two triangles between parallel line as seen in the picture.



- The measure of  $\angle ABD$  is equal to  $\angle BAD$ .
- The measure of  $\angle BAD$  is equal to  $\angle ACD$ .
- The measure of  $\angle ABD$  is equal to  $\angle DAC$ .
- The measure of  $\angle ABC$  is equal to  $\angle ACB$ .

Choose the correct statements

- (i), (ii)
- (ii), (iii)
- (iii), (iv)
- (i), (iv)

2. a. A statement and reason is given below

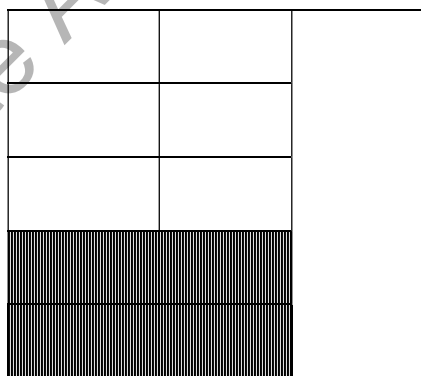
Statement : If 8 liters of milk is filled in 6 identical bottles, each bottle contains  $\frac{8}{6}$  liters of milk.

Reason :  $\frac{8}{6}$  means 6 is equally divided by 8

Examine the statement and reason, find which is correct

- A. Both the statement and reason are correct.
  - B. Statement is wrong, reason is correct. Statement is correct, reason is wrong.
  - C. Both the statement and reason are not correct.
- b. Draw a rectangle and show  $\frac{3}{5}$  parts of its  $\frac{1}{3}$  part by shading it.
- c. Area of a rectangular shaped plot is 384 square metres. There is a garden inside the plot which has an area of  $\frac{5}{12}$  parts of the plot. Find the area of the garden?
3. a. Draw a triangle ODC with OD = 9 centimeters, OC = 5 centimeters,  $\angle D = 30^\circ$ .
- b. Without changing the measures of OD and  $\angle D$ , it is not possible to draw the triangles when the measure of OC is;
- A. 8 centimeters
  - B. 10 centimeters
  - C. 4 centimeters
  - D. 9 centimeters

4. a



In the figure, shaded part represents the product of two fractions, See the statements Babu wrote related to this.

- i.  $\frac{2}{5}$  parts of  $\frac{2}{3}$
- ii.  $\frac{1}{3}$  parts of  $\frac{2}{5}$
- iii.  $\frac{4}{5}$  parts of  $\frac{2}{3}$
- iv.  $\frac{4}{15}$  parts of the large rectangle

Which of the above statements are true?

- E. Only iv
- F. (i) and (ii)
- G. (i) and (iv)
- H. (ii) and (iii)

- b. A man travels  $2\frac{1}{4}$  kilometres in one hour. What is the distance he travelled in  $2\frac{1}{3}$  hours?
- c. A 4 metre long rope is divided into 5 pieces of equal length. What is the length of  $\frac{3}{5}$  part of its one piece in metres? In centimetres?

5. a. Draw a circle with 5 centimetres radius and complete the pattern as shown below. Shade it and make pretty.



b. Measures of sides of some triangle are given below. Which of the following is the sides of a triangle with two equal angles?

A. 5 cm, 3 cm, 4 cm

B. 7 cm, 6 cm, 7 cm

C. 4 cm, 6 cm, 8 cm

D. 5 cm, 7 cm, 9 cm

**The sixth question has 2 questions (6 A and 6 B). You only need to answer one of them.**

6. A.

a. The division operations in column A are connected with the fractions in column B.

A	B
1. $1\frac{1}{2} \div \frac{3}{4}$	a. $\frac{4}{3}$
2. $\frac{2}{3} \div \frac{1}{2}$	b. $\frac{1}{8}$
3. $\frac{1}{4} \div 2$	c. 2
	d. $\frac{1}{2}$

Which of the following is true?

A.  $1 \rightarrow a$ ,  $2 \rightarrow b$ ,  $3 \rightarrow c$

B.  $1 \rightarrow c$ ,  $2 \rightarrow a$ ,  $3 \rightarrow d$

C.  $1 \rightarrow c$ ,  $2 \rightarrow d$ ,  $3 \rightarrow a$

D.  $1 \rightarrow c$ ,  $2 \rightarrow a$ ,  $3 \rightarrow b$

- b. We want to fill  $4\frac{1}{4}$  litres milk in identical bottles. A bottle can contain  $\frac{3}{4}$  litre milk.  
 How many bottles will be there with full of milk?  
 How many more litres of milk is needed to fill the bottle which is not completely filled?
- c. How many times of  $1\frac{1}{2}$  is 5?

OR

- 6) B. a. A big vessel contains 25 litres of water and a small vessel contains 15 litres of water.
- Water in the smaller vessel is  $\frac{3}{5}$  part of the larger.
  - Water in the smaller vessel is  $\frac{2}{3}$  part of the larger.
  - Water in the larger vessel is  $\frac{5}{3}$  times the smaller.

Which of the statements given above are true?

- i, ii correct
  - Only iii is correct
  - i and iii correct
  - ii and iii correct
- b. How many pieces of  $1\frac{1}{2}$  metres long rope can be cut off from  $8\frac{1}{2}$  metres long rope? What is the length of the remaining rope?
- c. Among two numbers, larger is  $1\frac{2}{3}$  times the smaller. Then, what part of the larger number is the smaller?
- d. Complete the missing portion :

$$4\frac{1}{2} \times 3\frac{1}{2} = (4 \times 3\frac{1}{2}) + (\dots\dots\dots).$$